

Optically-bonded 5-inch LCD
designed for harsh environments

High-brightness screen for full
sunlight viewability

Glass display surface offers
enhanced clarity and strength

Glove-friendly touch panel



FEATURE-RICH GLASS-FRONT DISPLAY BRINGS RUGGED PERFORMANCE FOR SMALL FOOTPRINTS

For rugged applications without a lot of space, the PowerView 500 is the perfect fit. With a 5-inch LCD screen, operators can get the full view of their equipment on a single all-weather display.

Perfect for all kinds of vehicles and equipment, the PV500 is easily viewed in full sunlight and contains an optically-bonded high-bright LCD inside its IP67-rated case to keep it safe in all weather environments.

Equipped with a high-speed processor, the PV500 delivers high-quality graphics and animations for a rich user experience.

The PV500 is available with a glass-front, with a glove-friendly touchscreen and non-touchscreen models to suit the needs of your application.

BUILT FOR POWERVISION

PowerVision Configuration Studio® software lets programmers design stunning user interfaces, create intelligent applications with scripting and prototype quickly with a vast library of standard engine parameters.

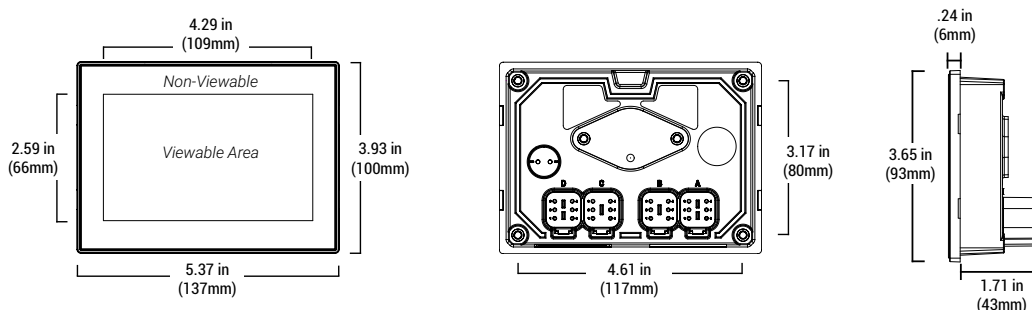


**IP
67**

POWerview® 500

1900001 04-2022

DIMENSIONS



PRODUCT SPECIFICATIONS

COMPUTING	
PROCESSOR	Renesas® RZ/G1E Arm® Cortex®-A7 dual-core processor @ 1.0 GHz
OPERATING SYSTEM	QNX® Realtime Operating System
STORAGE	8 GB flash memory
RAM	256 MB DDR3-SDRAM

DISPLAY	
DISPLAY AREA	5" (108mm [H] x 64.8mm [V])
TYPE	LVDS TFT LCD with LED backlight, 24-bit color
RESOLUTION	800 x 480 (WVGA)
CONTRAST RATIO	Typ. 1000:1
BRIGHTNESS	900 cd/m ² (900 nits)
SURFACE	Anti-glare
TOUCH PANEL	Projected capacitive (PCAP) with glove touch

HARDWARE	
REAL TIME CLOCK	Li-Ion battery backup (Typ. lifespan 10 years) non-rechargeable, non-replaceable
CONNECTORS	(4) 6-position DEUTSCH® style DT series
VIDEO INPUTS	(2) NTSC/PAL (single channel viewable)

⚠ WARNING: This product can expose you to chemicals including lead, which is known to the State of California to cause cancer. For more information, go to www.P65Warnings.ca.gov.

COMMUNICATION	
CAN	(2) CAN 2.0B according to ISO-11898-2; J1939 and proprietary messaging
SERIAL	(1) RS-485 MODBUS Master/Slave Port
USB	USB 2.0 full speed host

ELECTRICAL	
OPERATING VOLTAGE	6 – 36 VDC, reverse polarity protected Min current draw @ 24V: 0.202A Max current draw @ 24V: 0.297A Min current draw @ 12V: 0.318A Max current draw @ 12V: 0.438A
INPUTS	(1) Analog 0–5 VDC, 4-20 mA, resistive, 10-bit resolution (1) Discrete digital, active-high
OUTPUTS	(2) 500 mA switched low-side

ENVIRONMENTAL	
OPERATING TEMPERATURE	-30°C to +85°C (-22°F to +185°F)
STORAGE TEMPERATURE	-40°C to +85°C (-40°F to +185°F)
PROTECTION	IP66 and IP67, front and back, for outdoor use
VIBRATION	Random vibration, 8.17 Grms (5–2000Hz), 3 axes
SHOCK	±50G in 3 axes
EMC/EMI	SAE J1113, ISO 13766, CE per 2014/30/EU

FOR MODEL & PART INFORMATION

FOR MANUAL & SUPPORT DOCUMENTS

FOR SUPPORT & WARRANTY

ENOVATIONCONTROLS.COM/PV500

SUPPORT.ENOVATIONCONTROLS.COM

ENOVATIONCONTROLS.COM/SUPPORT

SALES CONTACT



CONTACT

✉ sales@novationcontrols.com
☎ +1 918.317.4100
www.novationcontrols.com

CORPORATE HEADQUARTERS

5311 S 122nd E Ave
Tulsa, Oklahoma, USA 74146
United States • United Kingdom • India • China



FM 28221 (Tulsa, OK-USA)
FM 29422 (UK)