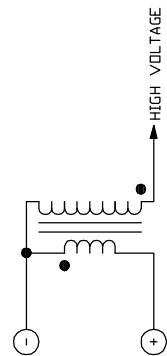
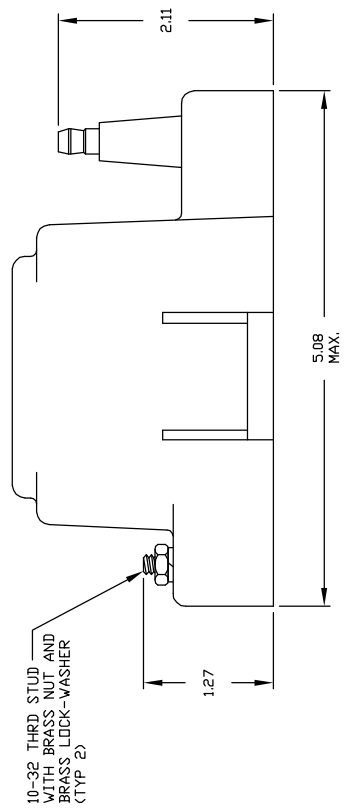
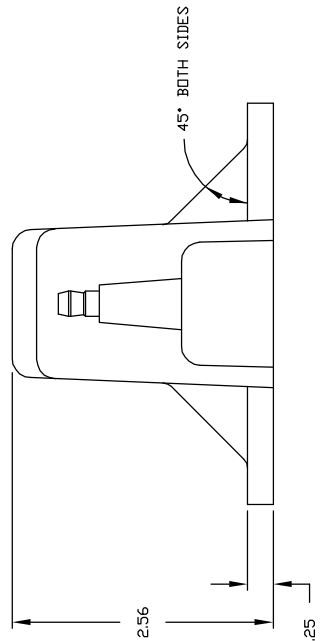
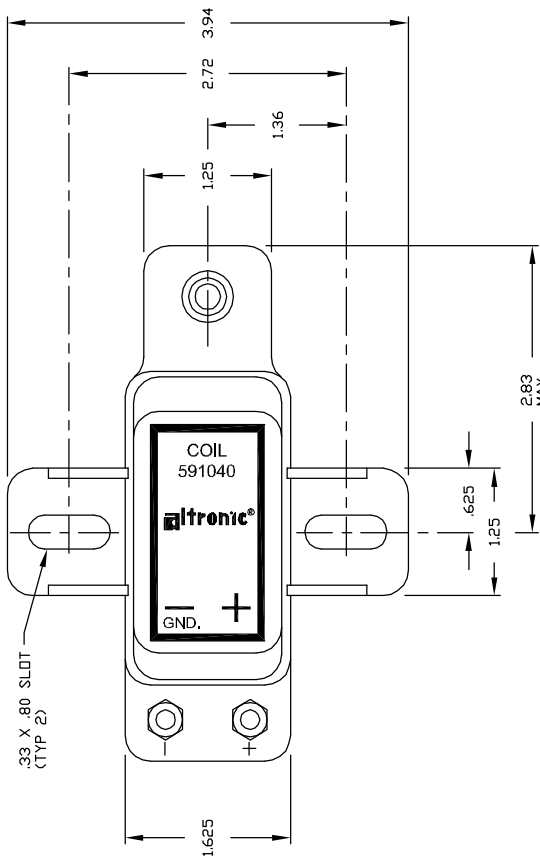


591040 UNSHIELDED COIL

RESISTANCE	
PRIMARY	<0.2Ω
SECONDARY	9,000-11,500Ω



COIL CIRCUIT DIAGRAM