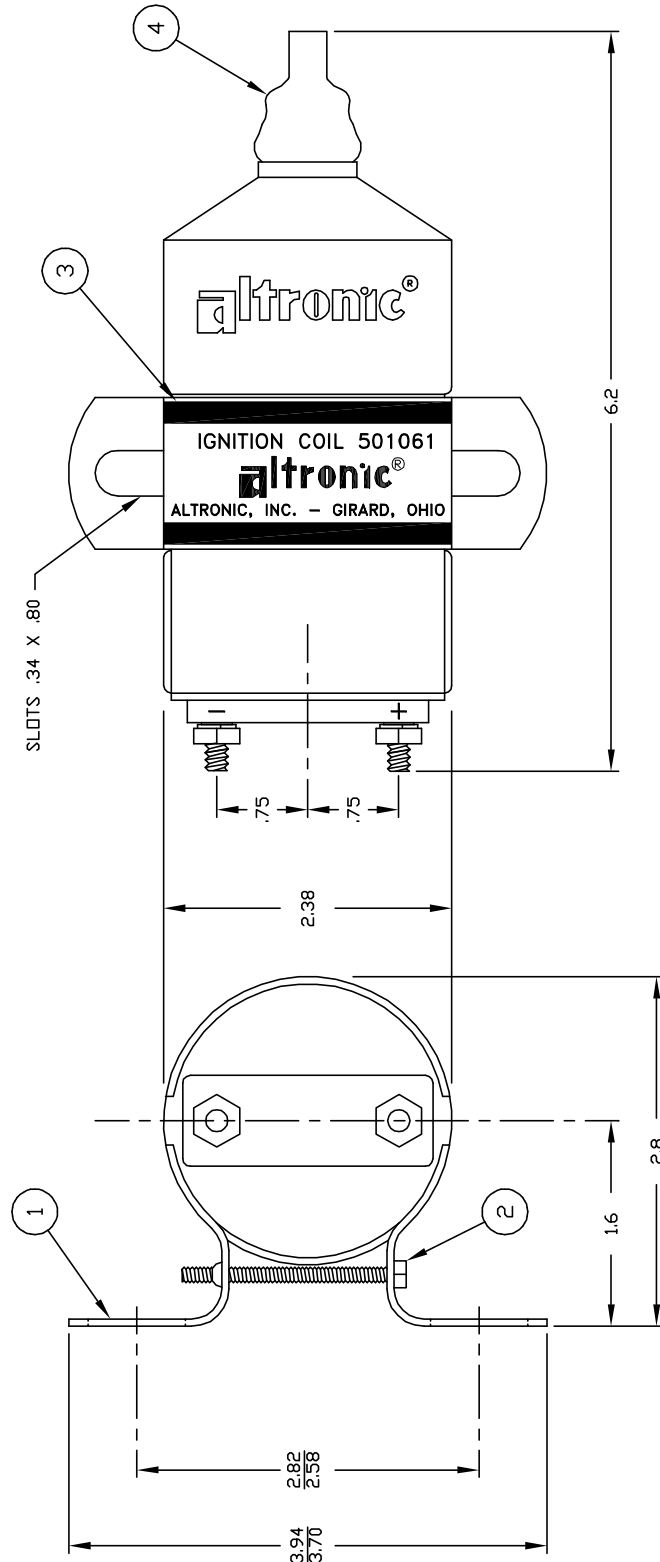


501061 UNSHIELDED COIL

COLOR	PRIMARY RESISTANCE	SECONDARY RESISTANCE
BLUE	0.2-0.5Ω	5,500-7,100Ω

ITEM	DESCRIPTION	PART NO.	QTY.
1	BRACKET	502101-2	1
2	SCREW	902544	1
3	LABEL	502099	1
4	BOOT	502122	1



COIL CIRCUIT DIAGRAM

