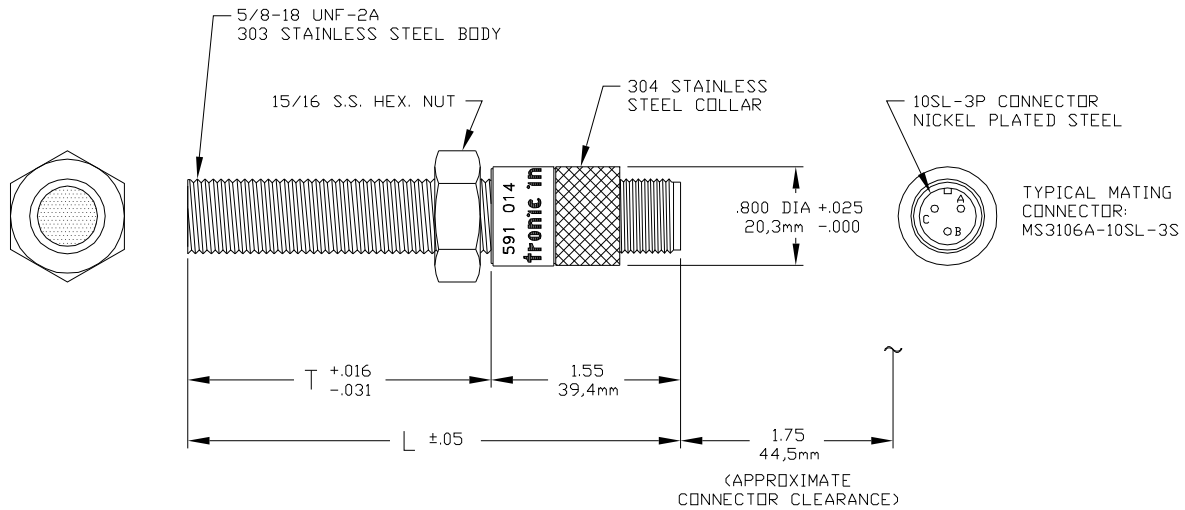


# CPU-95 DIGITAL IGNITION SYSTEM

**FIG. 15 HALL-EFFECT PICKUP SALES DRAWING**

ALTRONIC P/N	T	L
591014-2	2.50"/63,5mm	4.05"/102,8mm
591014-4	4.50"/114,3mm	6.05"/153,7mm



**NOTE:**

1. NORTH POLE OF MAGNET MUST FACE SENSING END WITH AIR GAP OF .030/.040 (.76/1,0).
2. CENTERLINE OF MAGNET'S ROTATION MUST RUN THROUGH CENTERLINE OF PICKUP.