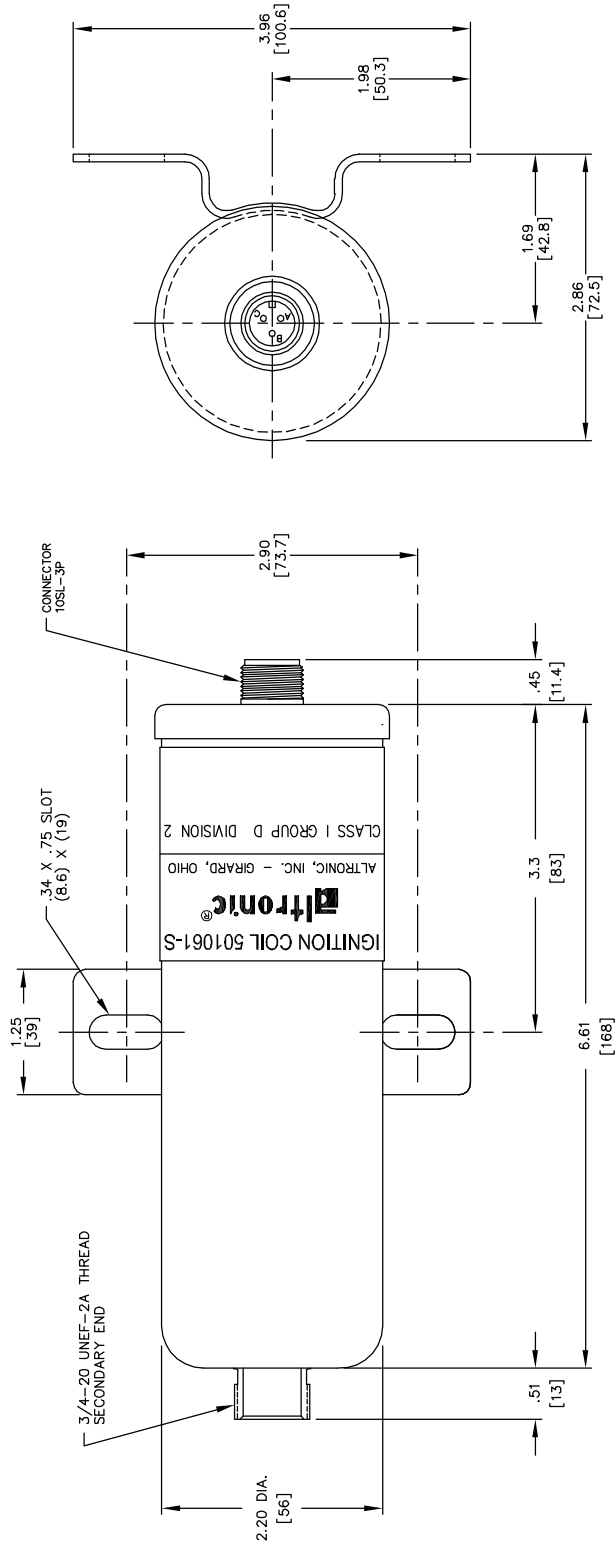


501061-S SHIELDED COIL

RESISTANCE	
PRIMARY Pin A to Pin B	SECONDARY Output to Pin B
0.2-0.5Ω	5,500-7,100Ω

ASSEMBLY INCLUDES	
PRIMARY ACCESS. PKG.	SECONDARY ACCESS. PKG.
510553	510480
501061-S-2	510480
501061-S-5	510480



CSA CERTIFIED CLASS I, GROUP D, DIVISION 2

DIMENSIONS IN INCHES AND (MILLIMETERS)

COIL CIRCUIT DIAGRAM

